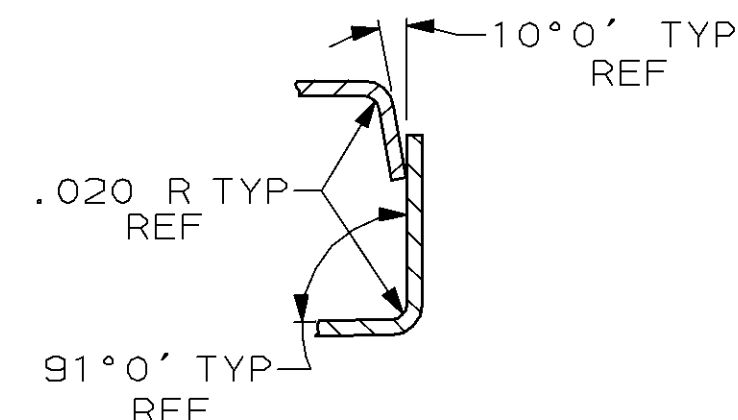
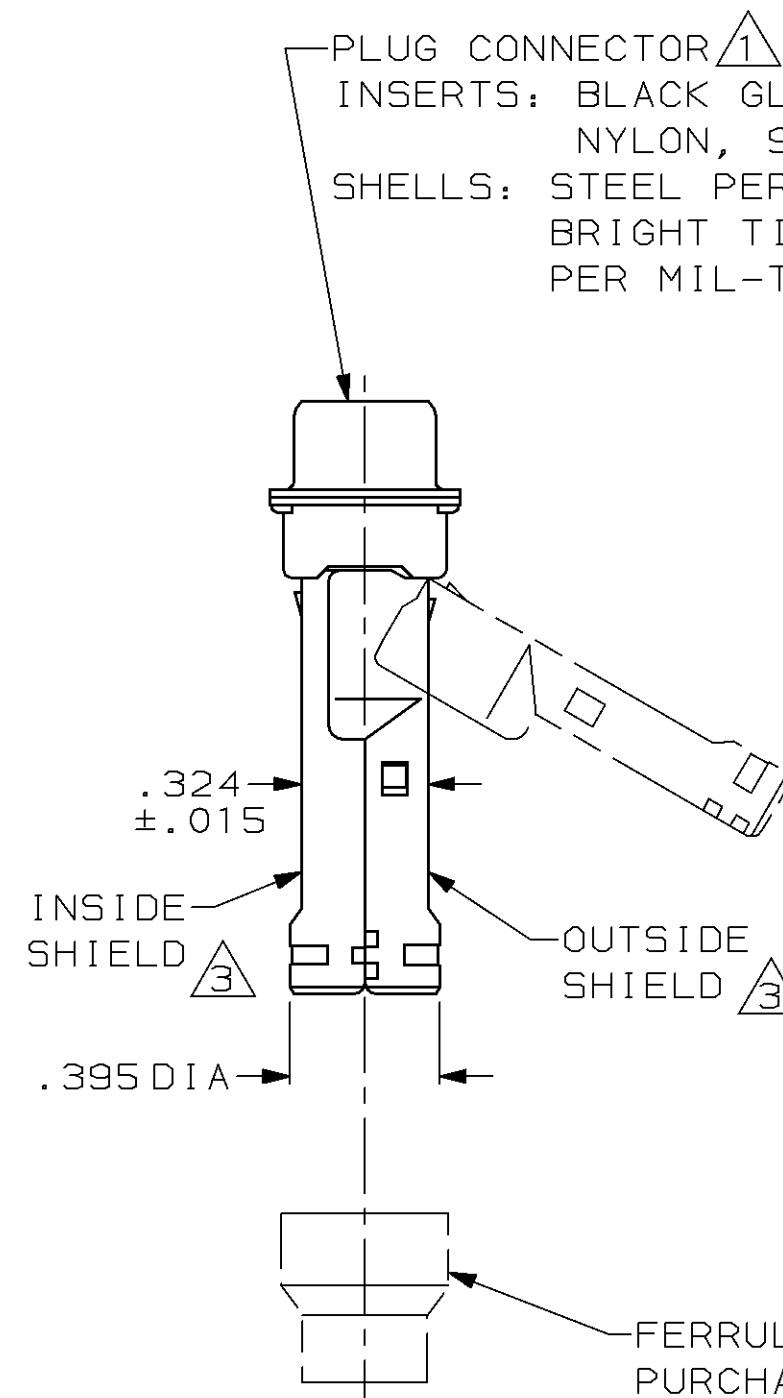
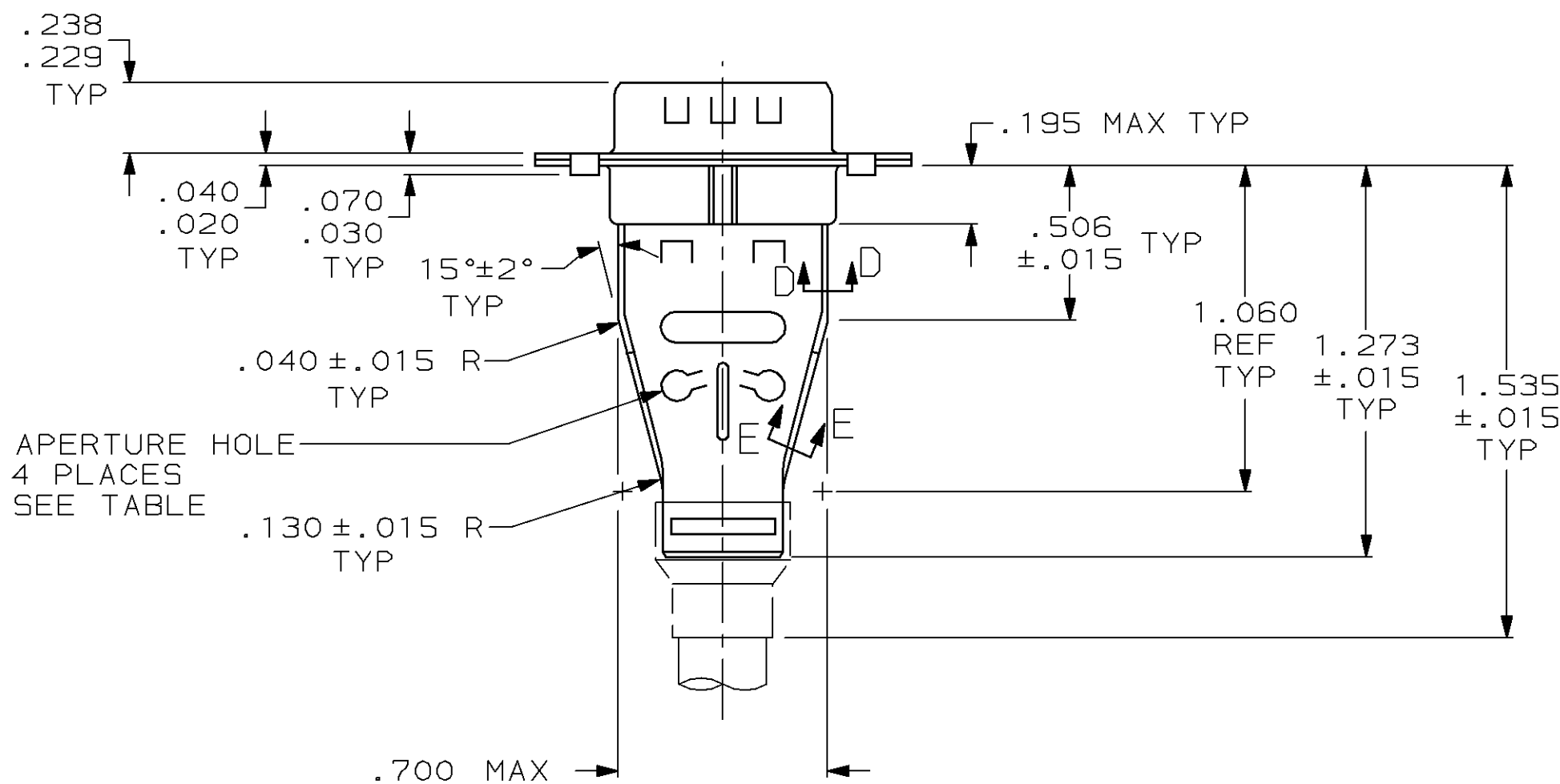
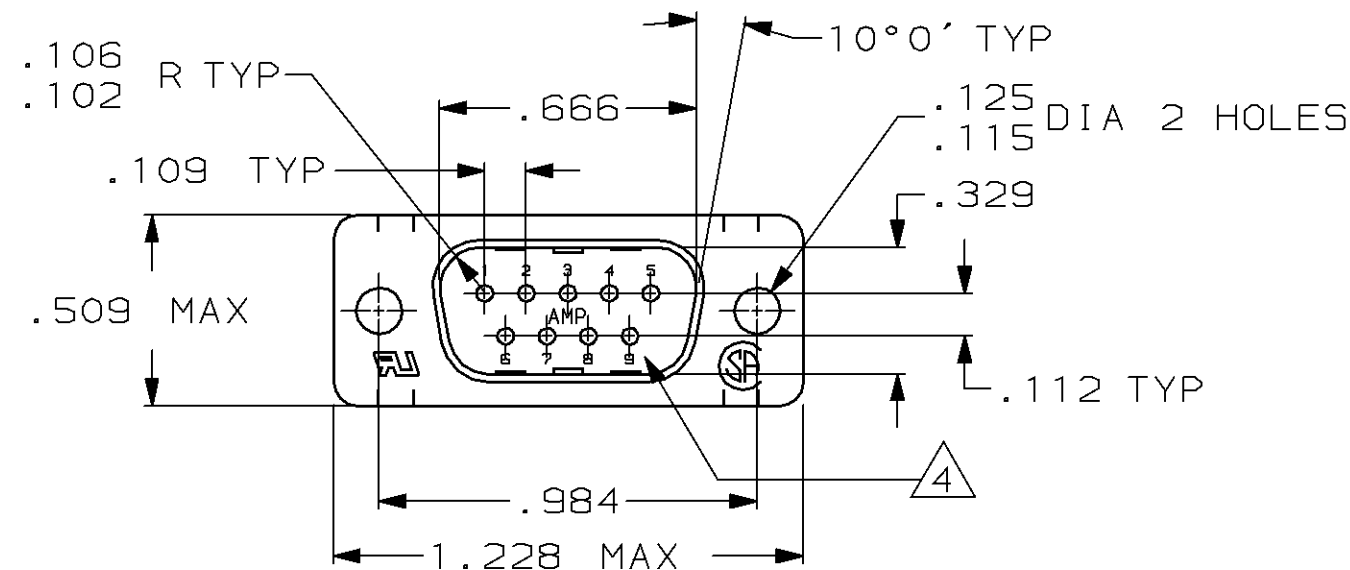
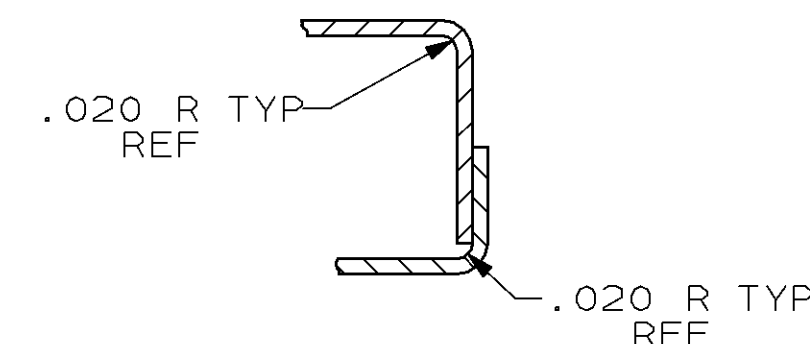


THIS DRAWING IS UNPUBLISHED. RELEASED FOR PUBLICATION ,19 .
 © COPYRIGHT 19 BY AMP INCORPORATED. ALL INTERNATIONAL RIGHTS RESERVED.

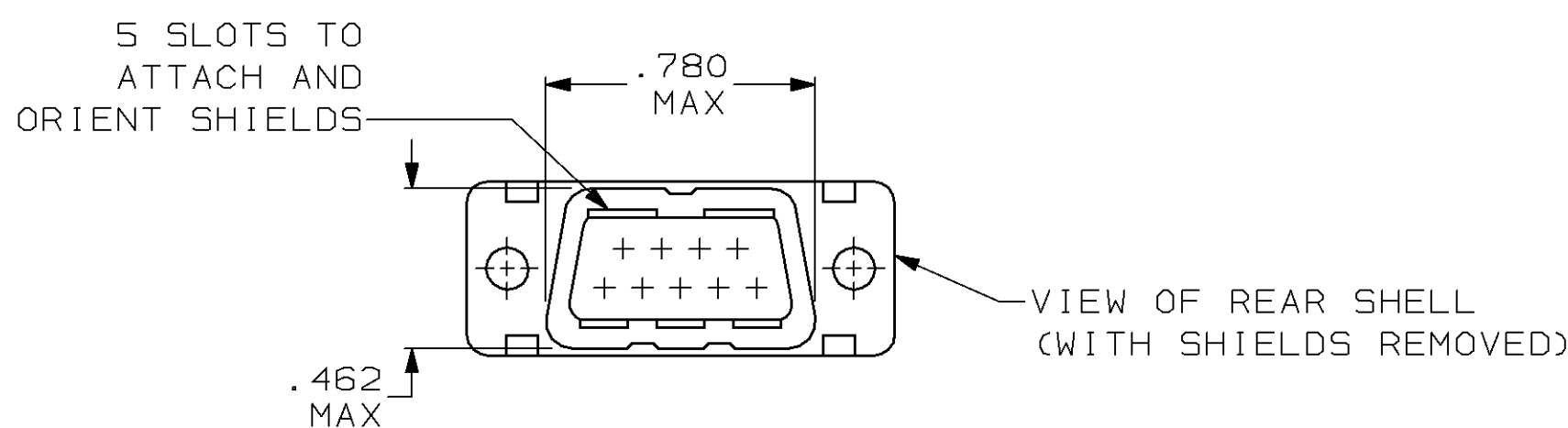
LOC	DIST	P	F	ZONE	LTR	REVISIONS		
						DESCRIPTION	DATE	APPD
BD	48				A	REDRAWN	5-24-90	-
					B	REV PER ECN BD5049	7-2-91	TMS
					C	ADDED -2 NPR3889 WAS 91-5788-2-1	01/02/92	TMS
					D	OBS -2 PER ECN BD5856	01/17/92	TMS
					E	REACTIVATED -2 PER NPR 3975	02/14/92	TMS
					F	ADDED -3 PER NPR 4263	07/10/92	SB
					G	OBS -2, -3 PER EC 0020-724-95	08 MAR 96	JCS



SECTION D-D
SCALE 4:1



SECTION E-E
SCALE 4:1



OBSOLETE		5
OBSOLETE	WITHOUT	747522-2
	WITH	747522-1
	APERTURE HOLE	PART NUMBER

- 1 PLUG ACCEPTS SIZE 20 PIN CONTACTS (CONTACTS MUST BE ORDERED SEPARATELY).
- 2. ALL PARTS SHIPPED UNASSEMBLED, EACH PART INDIVIDUALLY BULK PACKED.
- 3 SHIELDS: MATERIAL-.020 THICK STEEL, TIN PLATED PER MIL-T-10727.
- 4 RAISED CAVITY IDENTIFICATION AND AMP TRADEMARK.
- 5 SEE RESTRICTED CUSTOMER DRAWING 747522-3.

DO NOT SCALE PRINT. UNLESS SPECIFIED DIMENSIONS IN INCHES TOLERANCES ON : 2 PLC DEC ± - 3 PLC DEC ± .005 ANGLES ± 0°30'	DR 5-24-90 J GALLUCCI BG CHK J. McCLINTON 8-31-90 APPD B. TAYLOR 9-4-90 APPD J. ASSINI 9-4-90	AMP INCORPORATED Harrisburg, Pa. 17105		
MATERIAL SEE CALL OUT 3	PRODUCT SPEC -			NAME KIT, PLUG, SHIELDING HARDWARE, SIZE 1, 9 POSN, HDP-20, AMPLIMITE™
FINISH SEE CALL OUT 3	APPLICATION SPEC -	SIZE C	FSCM NO 00779	DRAWING NO 747522
	WEIGHT -	SCALE 2:1		SHEET 1 OF 1